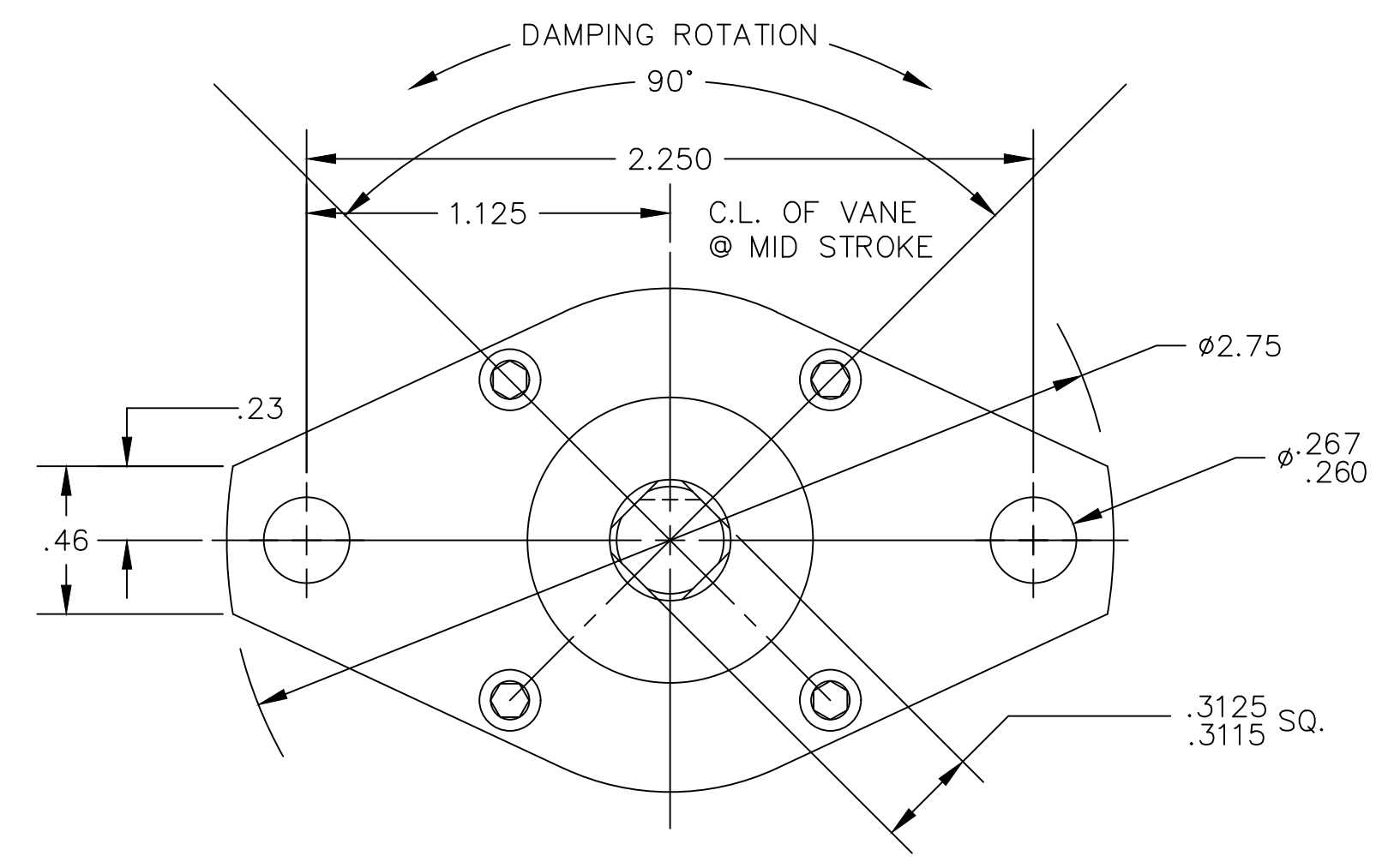
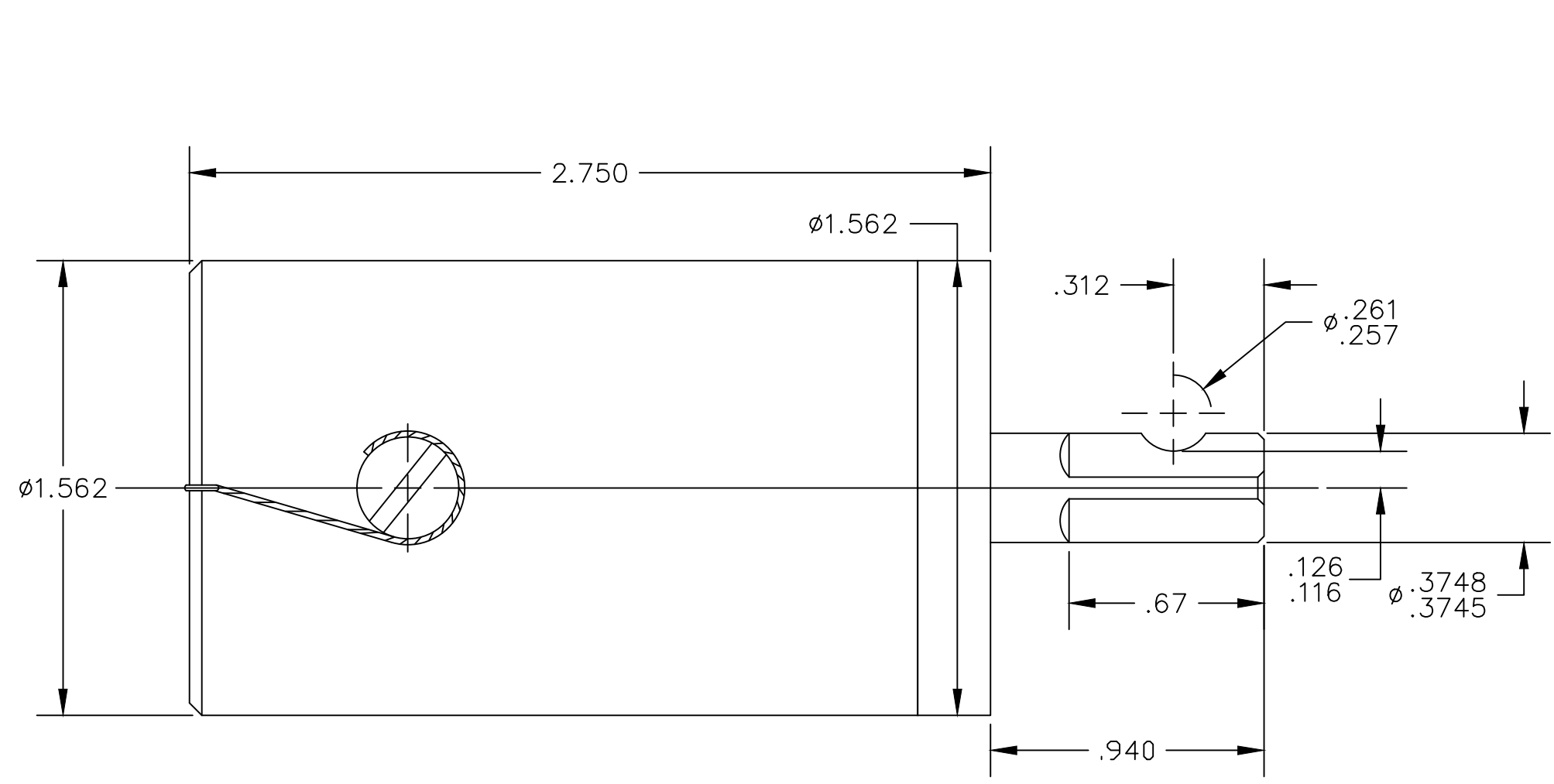


REVISIONS			
SYM.	DESCRIPTION	DATE	APPROVED



POPRIETARY AND CONFIDENTIAL			<p style="text-align: center;">DEB. MANUFACTURING INC. (99194)</p>			
<p>THE INFORMATION CONTAINED IN THIS DRAWING IS THE SOLE PROPERTY OF D.E.B. MANUFACTURING, INC. ANY REPRODUCTION IN PART OR AS A WHOLE WITHOUT THE WRITTEN PERMISSION OF D.E.B. MANUFACTURING, INC. IS PROHIBITED.</p>						<p style="text-align: center;">DAMPER ASSEMBLY TEMP. COMPENSATED</p>
<p>TOLERANCES EXCEPT AS NOTED .XX ± .010 .XXX ± .005 FRACT ± 1/64 ANGLES ± 1/2'</p>			<p>DESIGNED BY S.R.D. DATE 07/30/20</p>	<p>PROJ. ENG. D.M. 07/30/20</p>		<p>REV. DWG. NO.</p>
<p>MACHINED SURFACES</p>			<p>GOVT APP'D</p>		<p>— 1025-9230-TBD</p>	
<p>SCALE 2X SIZE</p>			<p>SCALE 2X SIZE</p>		<p>SHEET NO. 1 OF 1</p>	
ITEM	NEXT ASSEMBLY	REQ.	<p>EXCEPT AS NOTED</p>			<p>—</p>