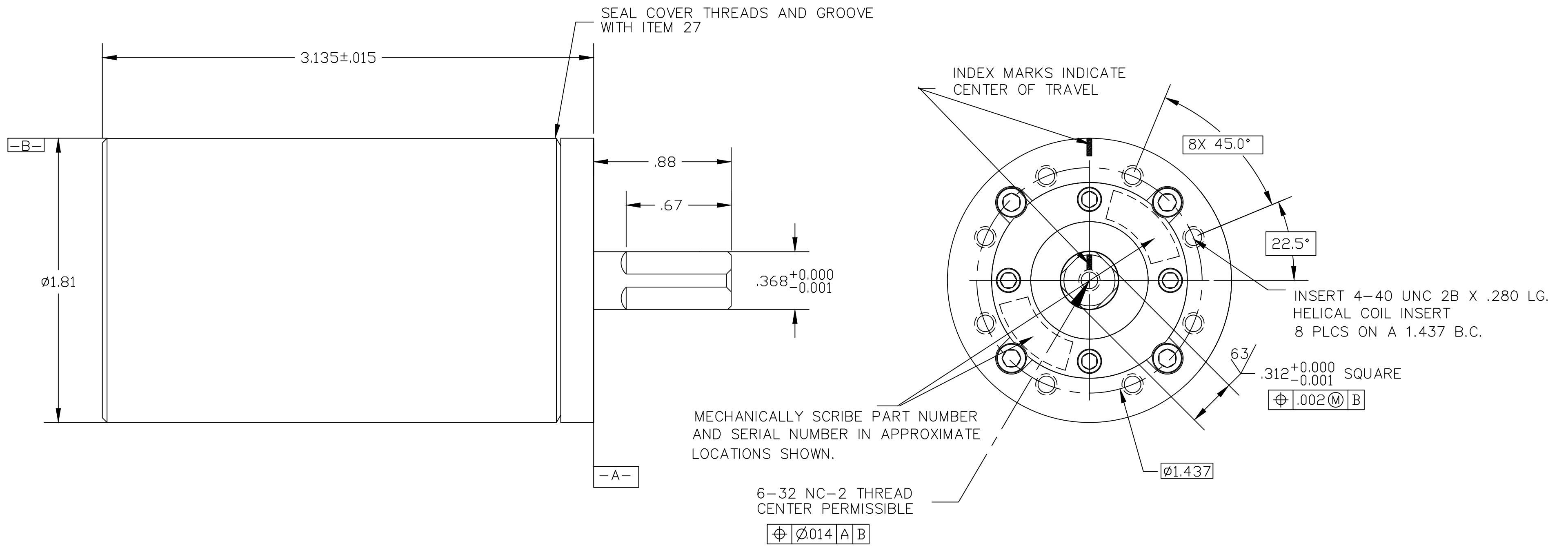


REVISIONS			
SYM.	DESCRIPTION	DATE	APPROVED



PROPRIETARY

REV.	REQ.	ITEM -01--02	PART NO.	DESCRIPTION	MTL	STOCK	SPEC	DIA	THICKN	WIDTH	L'GTH	HEAT TR	FINISH	WEIGHT		
POPRIETARY AND CONFIDENTIAL				<p>DEB. MANUFACTURING INC. (99194)</p> <p>PISTON DAMPER ASSEMBLY NON TEMP. COMPENSATED</p> <p>SCALE 2X SIZE</p>												
<p>THE INFORMATION CONTAINED IN THIS DRAWING IS THE SOLE PROPERTY OF D.E.B. MANUFACTURING, INC. ANY REPRODUCTION IN PART OR AS A WHOLE WITHOUT THE WRITTEN PERMISSION OF D.E.B. MANUFACTURING, INC. IS PROHIBITED.</p>				<p>TOLERANCES EXCEPT AS NOTED</p> <p>.XX ± .010 .XXX ± .005</p> <p>FRACT ± 1/64</p> <p>ANGLES ± 1/2'</p>		<p>BY DATE</p> <p>S.R.D. 01/01/20</p>		<p>DESIGNED</p>							<p>REV. DWG. NO.</p> <p>- 1025-9740-TBD</p>	
<p>MACHINED SURFACES</p> <p>√ RMS EXCEPT AS NOTED</p>				<p>CHECKED D.M. 01/01/20</p>		<p>PROJ. ENG.</p>		<p>GOVT APP'D</p>							<p>SHEET NO. 1 OF 2</p>	
ITEM	NEXT ASSEMBLY	REQ.														