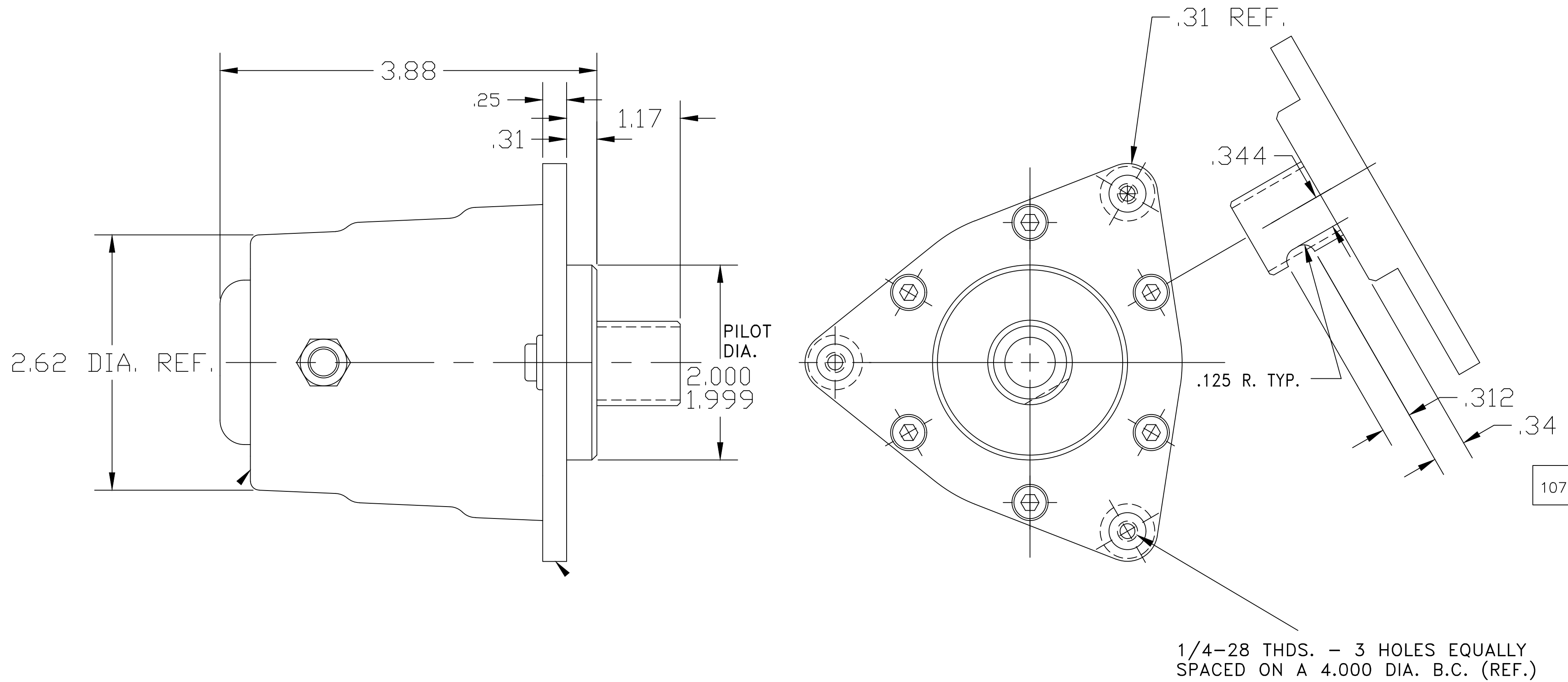


REVISIONS			
SYM.	DESCRIPTION	DATE	APPROVED



1072-1400-TBD

POPRIETARY AND CONFIDENTIAL															
THE INFORMATION CONTAINED IN THIS DRAWING IS THE SOLE PROPERTY OF D.E.B. MANUFACTURING, INC. ANY REPRODUCTION IN PART OR AS A WHOLE WITHOUT THE WRITTEN PERMISSION OF D.E.B. MANUFACTURING, INC. IS PROHIBITED.			TOLERANCES EXCEPT AS NOTED .XX ± .010 .XXX ± .005 FRACT ± 1/64 ANGLES ± 1/2°		<b>DEB. MANUFACTURING INC.</b> (99194)				VISCOUS DAMPER		REV. - DWG. NO. 1072-1400-TBD SHEET NO. 1 OF 1				
					MACHINED SURFACES		BY	DATE					SCALE 2X SIZE		
					 RMS EXCEPT AS NOTED		.DESIGNED	S.R.D.							1/1/20
					ITEM	NEXT ASSEMBLY	REQ.	CHECKED							D.M.
			PROJ. ENG.												
			GOVT APP'D												