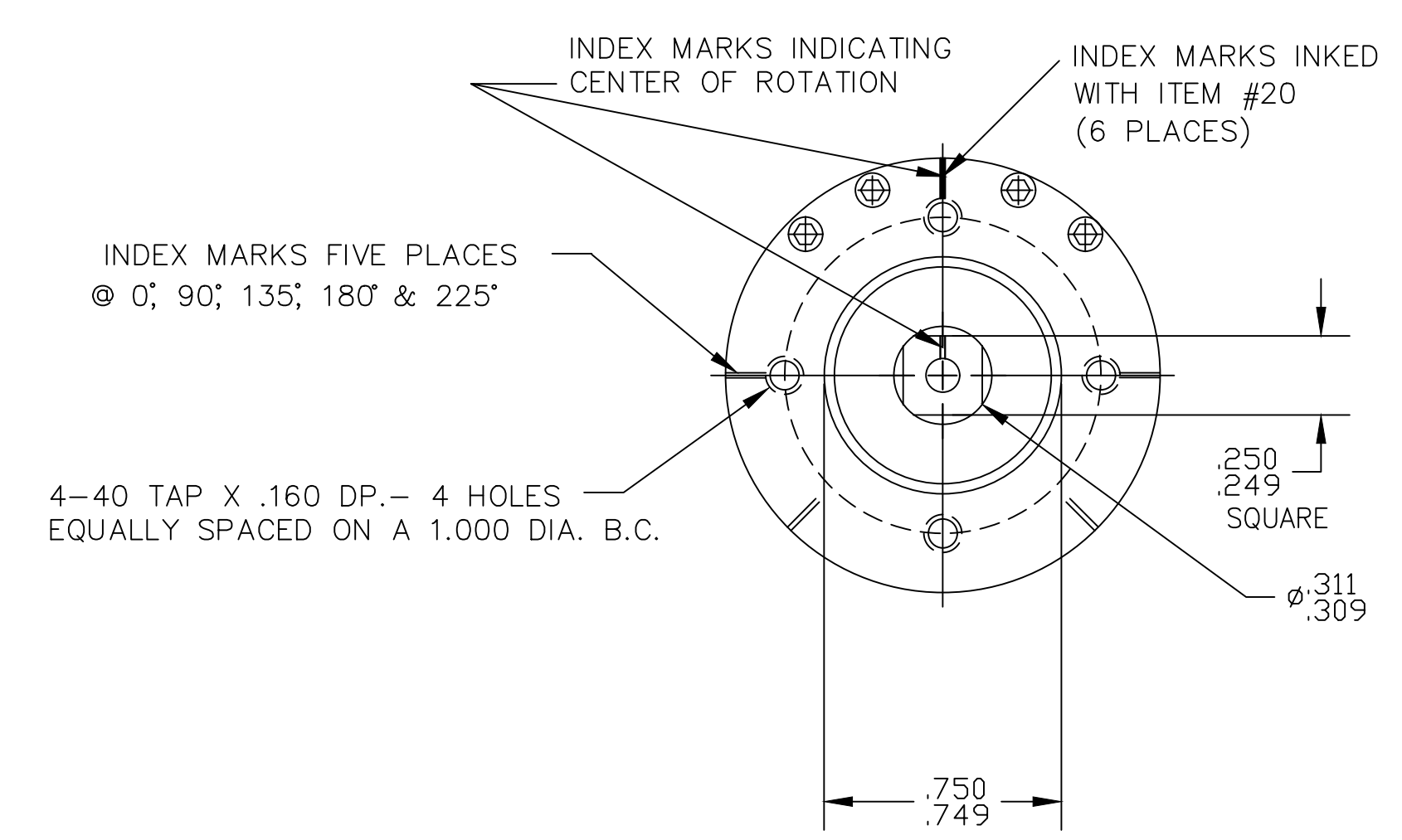
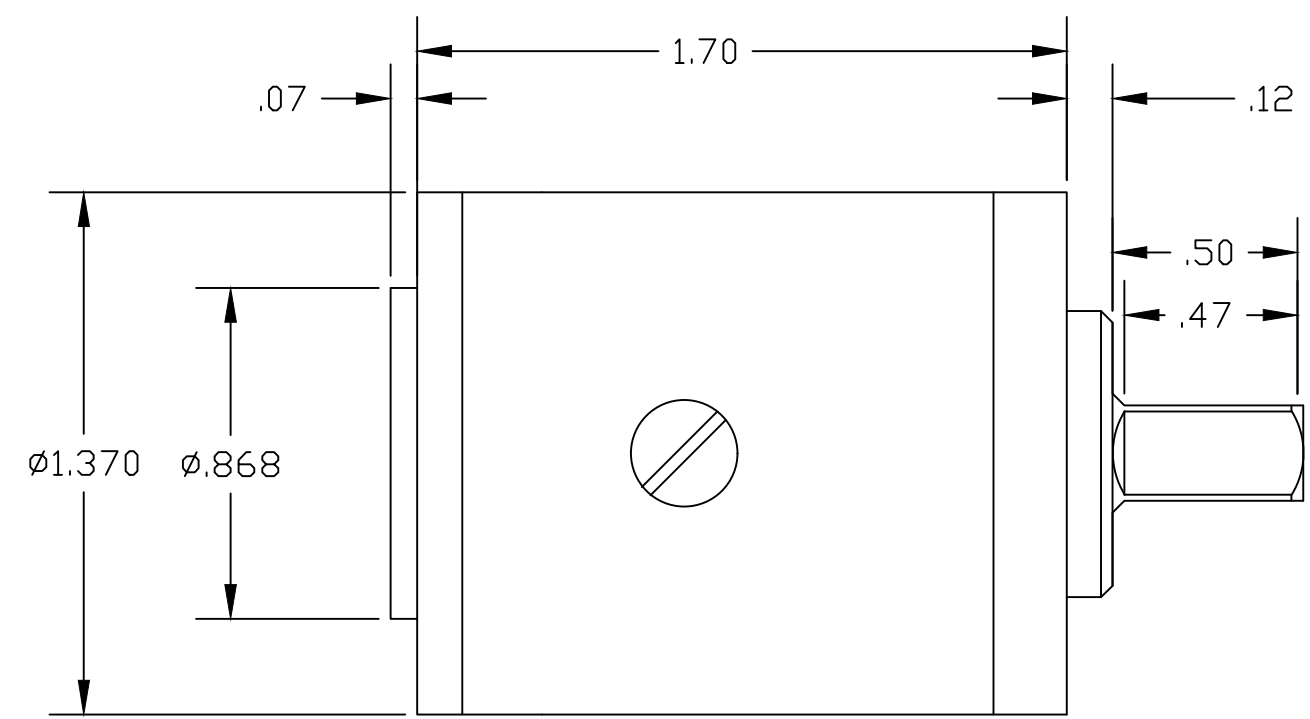


REVISIONS			
SYM.	DESCRIPTION	DATE	APPROVED



1080-2760-TBD

POPRIETARY AND CONFIDENTIAL														
THE INFORMATION CONTAINED IN THIS DRAWING IS THE SOLE PROPERTY OF D.E.B. MANUFACTURING, INC. ANY REPRODUCTION IN PART OR AS A WHOLE WITHOUT THE WRITTEN PERMISSION OF D.E.B. MANUFACTURING, INC. IS PROHIBITED.			TOLERANCES EXCEPT AS NOTED .XX ± .010 .XXX ± .005 FRACT ± 1/64 ANGLES ± 1/2'				DEB. MANUFACTURING INC. (99194)				VISCOUS DAMPER			
			MACHINED SURFACES RMS EXCEPT AS NOTED											
			CHECKED D.M. 1/1/20				PROL. ENG.							
			GOVT APP'D				SCALE 2X SIZE							
			REV.	DWG. NO.			SHEET NO.							
-	1080-2760-TBD			1				1						